



# KEYLUX LIGHTING CO.,LTD

## Specification

### LED LINEAR LIGHT SERIES



- **Solid State Lighting**
- **Green**
- **High efficiency**
- **Energy saving**
- **Long lifespan**
- **No pollution**

<b>Item NO</b>	<b>LIN08</b>
----------------	--------------



# KEYLUX LIGHTING CO.,LTD

## Specification

---

### content

<b>Product Structure</b> .....	<b>3</b>
<b>Product Parameters</b> .....	<b>4</b>
<b>Test report</b> .....	<b>5~6</b>
<b>Packing Schematic</b> .....	<b>7</b>
<b>Installation instruction</b> .....	<b>8~9</b>
<b>Applications Area</b> .....	<b>10</b>



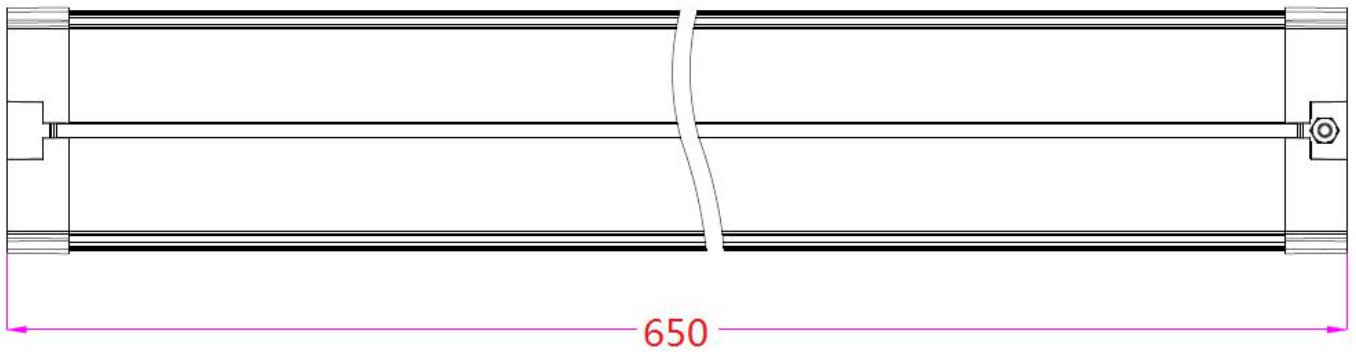
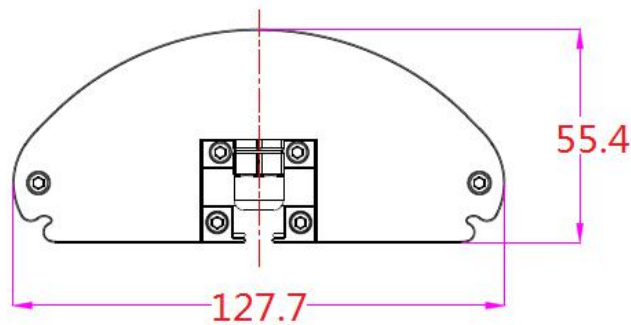
# KEYLUX LIGHTING CO.,LTD

## Specification

### Product Structure

Aluminum Alloy Lamp Shade

Unit: mm tolerance:  $\pm 0.2\text{mm}$





# KEYLUX LIGHTING CO.,LTD

## Specification

### Parameters

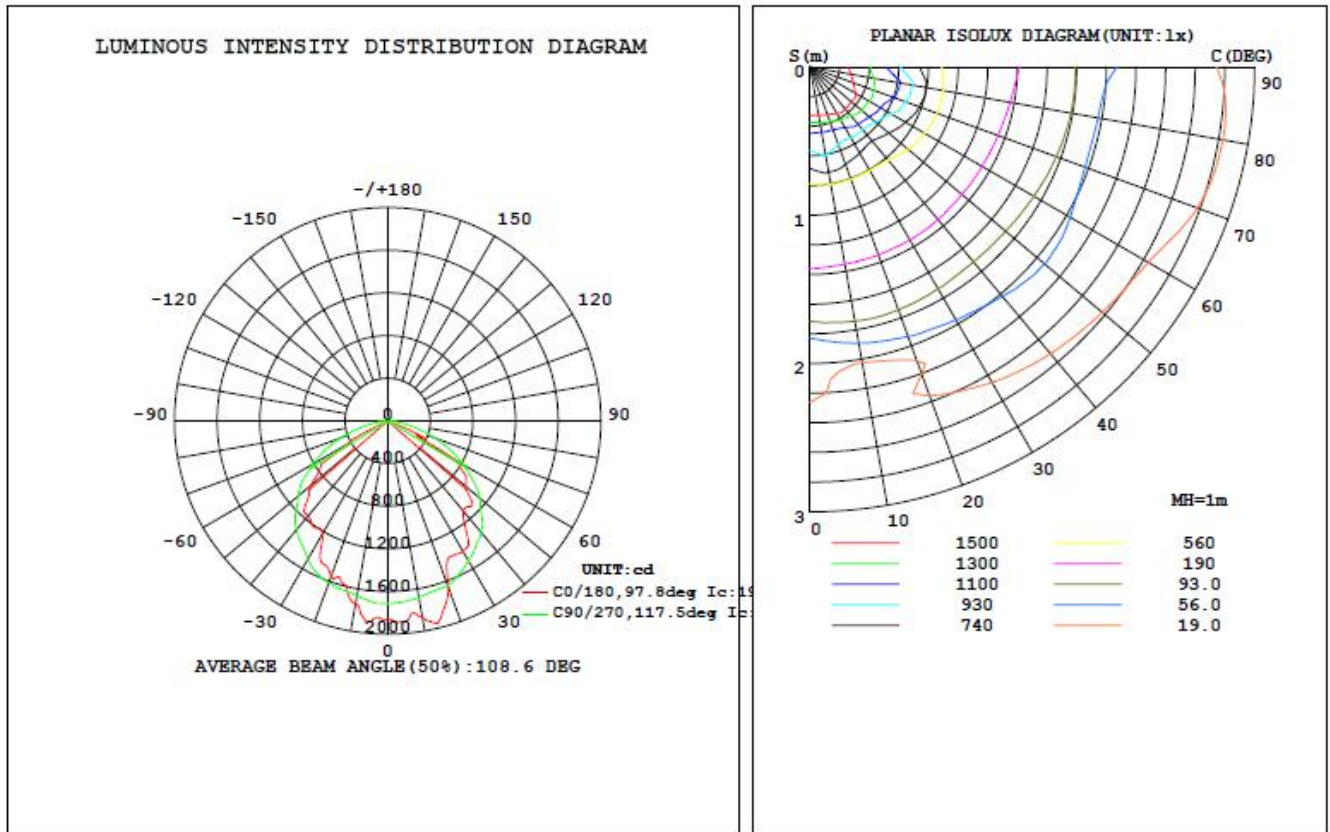
Wattage		40W
Input Voltage		AC100-240V
Frequency		50~60Hz
Total Harmonic Distortion		≤9%
Power-factor		>95%
Power Efficiency		>90%
LED Quantity		208PCS*0.2W
Output Current		0.96A
LED Working Voltage		40V
Height: Average/Center illuminance	3m	75.01LUX/216.3LUX
	5m	28.20LUX/81.34LUX
	7m	12.45LUX/32.47LUX
Illuminance area/Height	3m	∅ 7.5m
	5m	∅ 12.5m
	7m	∅ 17.5m
Materials		AL 6063-T5
Glass (PMMA)		Clear
LED Source		2835
Color Temperature		WW/2800-3200K; NW/4000-4500K; CW/6000-6500K
CRI		>80
Luminous Flux		100~110LM/W
IP Rating		IP65
Working Temperature		-20~60℃
Beam Angle		120°
Life span		50000 hrs
Certification		CE ROHS
Connect Wire		Brown/L; Blue/N; Yellow, Green/G
Housing Color of Lamp		Silver



# KEYLUX LIGHTING CO.,LTD

## Specification

### Test report



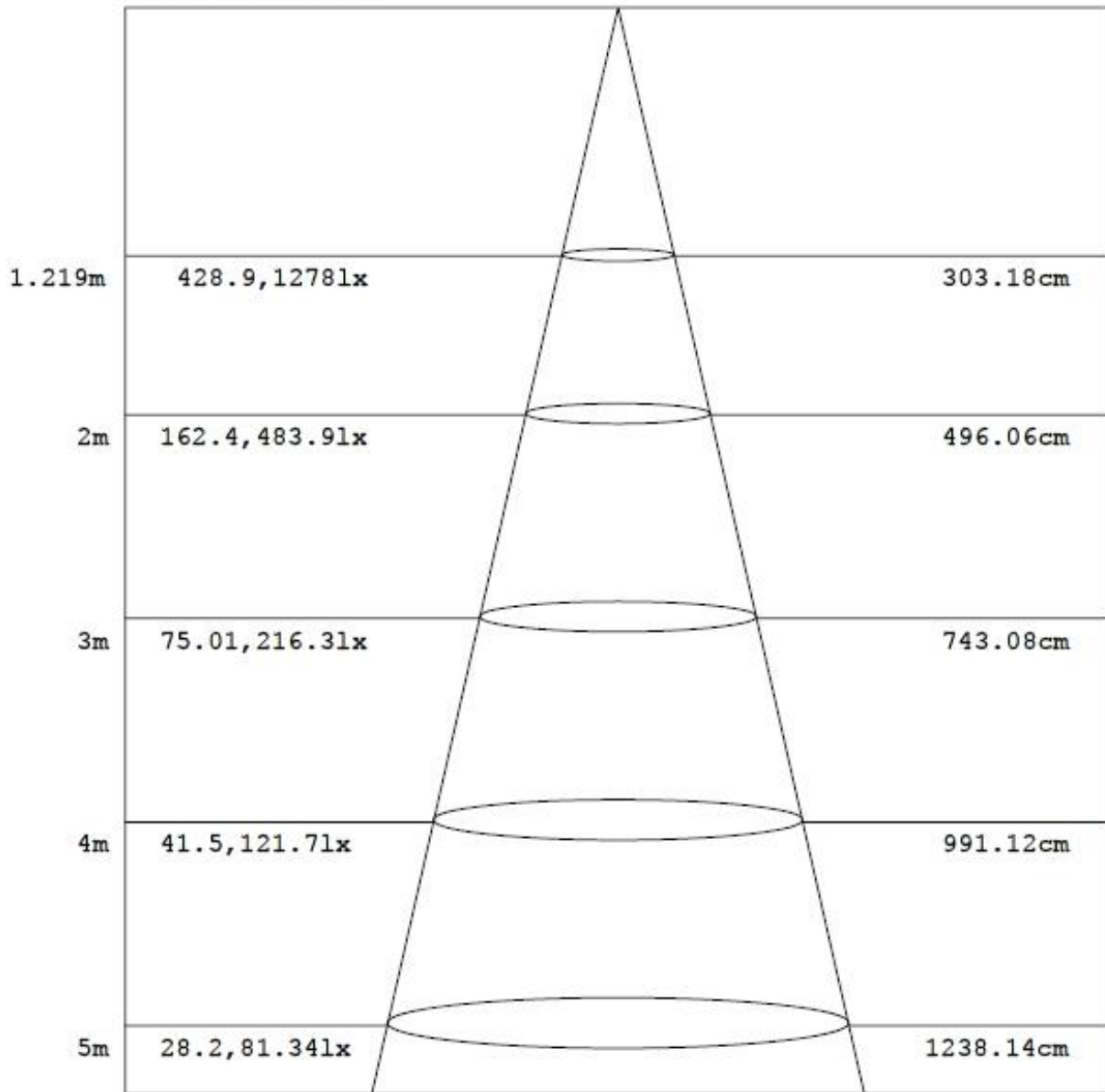


# KEYLUX LIGHTING CO.,LTD

## Specification

Consumption:40W

Flux out:3523 lm



Note: The Curves indicate the illuminated area and the average illumination when the luminaire is at different distance.



# KEYLUX LIGHTING CO.,LTD

## Specification

### Packing Schematic

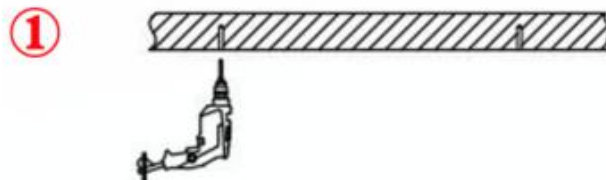
Size	Inner Box: 670*150*75mm	Outer Carton: 680*320*170 mm(4PCS/CTN)	
Net Weight/Unit	1.8KG	Net Weight/CTN	7.2KG
Gross Weight/Unit	2KG	Gross Weight/CTN	9.2KG



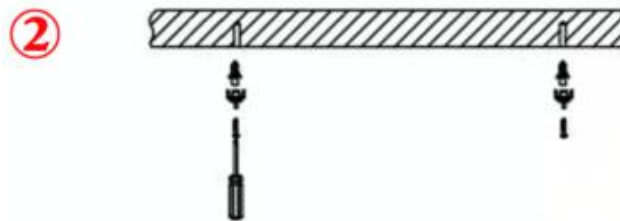
# KEYLUX LIGHTING CO.,LTD

## Specification

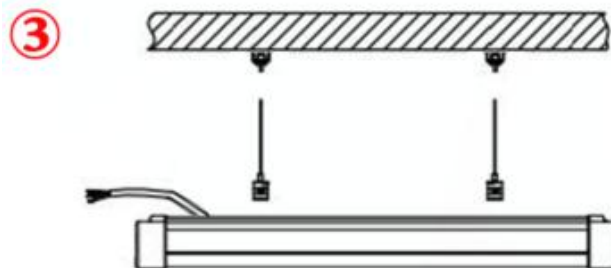
### Pendant Installation instruction



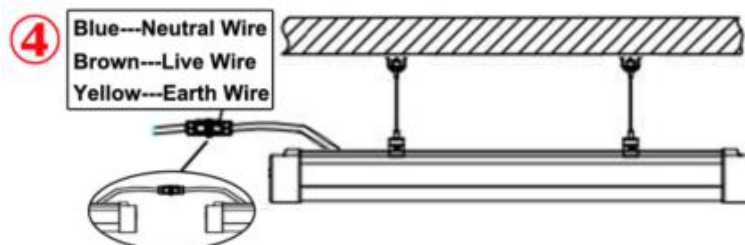
**①** Punching hole on ceiling by electric drill.



**②** Fix suspension kits on ceiling.



**③** Connect brackets and suspension wires together.



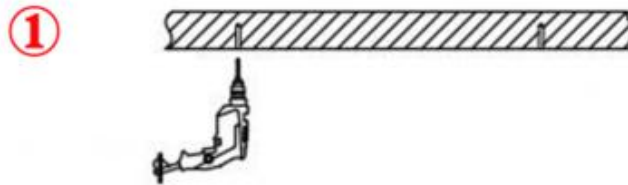
**④** As shown figure, connect DC connectors of two lamps, then switch on power.



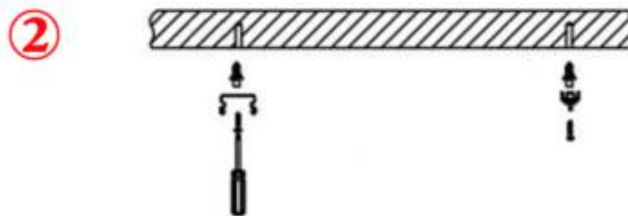
# KEYLUX LIGHTING CO.,LTD

## Specification

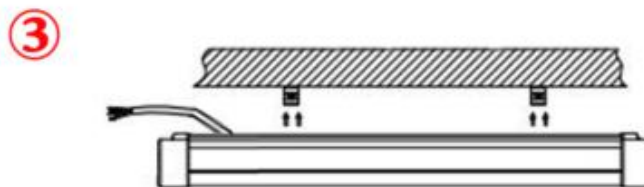
### Surface mounted Installation instruction



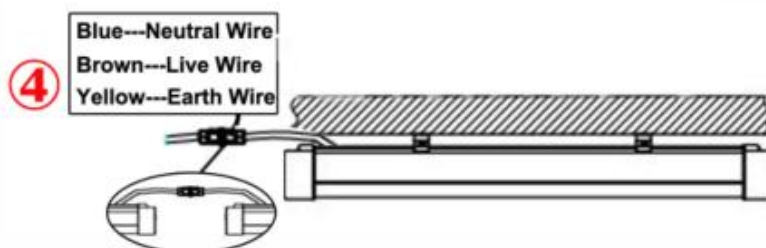
Punching hole on ceiling by electric drill.



Fix suspension kits on ceiling.



Putting lamp into brackets..



As shown figure, connect DC connectors of two lamps, then switch on power.



# KEYLUX LIGHTING CO.,LTD

## Specification

---

### Applications:

showroom, supermarket, public place, factory, school, warehouse.

